

# LASER PEGS®

The Ultimate Construction Toy For Kids®

**C1200**  
**HELICOPTER**  
**AGES 5+**

**30 Models+**

Any creation you can build  
**LIGHTED**  
CONSTRUCTION SET INCLUDES:

- 36 Laser Pegs®
- 169 Construction parts
- Triangle Power Base
- Instruction Manual

Requires 3 AA Batteries

Batteries NOT Included



Please read this manual before you begin! Failure to follow this manual's instructions may result in damage to the 3D Lite Board®, AC Adapter and/or Laser Pegs®. Not adhering to these instructions will void the manufacturer's warranty. The packaging must be kept because it contains important information.

**WARNING: CHOKING HAZARD** - Small parts. Not for children under 3 yrs. Do not submerge in water.

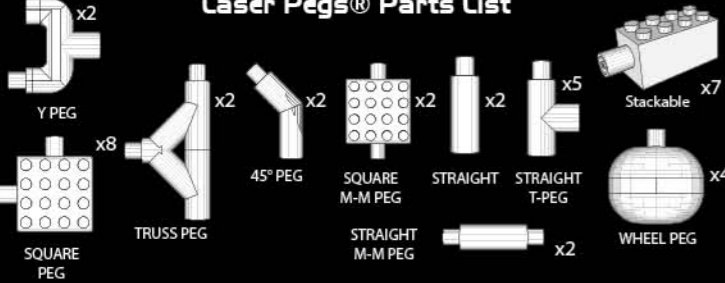


EN71, RoHS COMPLIANT



This product complies to all safety requirements of ASTM F 963

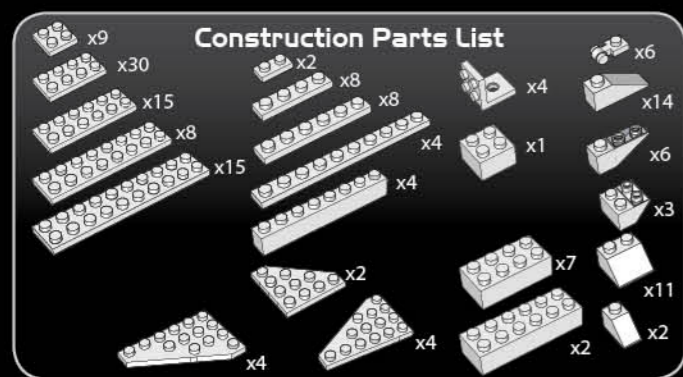
## Laser Pegs® Parts List



**Color Code** Each Laser Peg® is color coded on the circuit board inside each shape.

**Warning:** This product contains a button battery. If swallowed, it could cause severe injury or death in just 2 hours. Seek medical attention immediately.

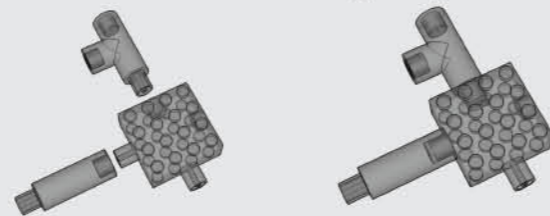
## Sound Activated Triangle Power Base



[www.LaserPegs.com](http://www.LaserPegs.com)

This manual is copyright and cannot be reproduced or used online without Laser Pegs® Ventures LLC permission. Copyright 2014 © All Rights Reserved US Patent #7,731,558 Additional Global & Multiple Patents Pending. Laser Pegs® Ventures LLC, 8304 Consumer Ct Sarasota FL, 34240. Contact: Support@LaserPegs.com

## Connecting Pegs



To construct with Laser Pegs®, slide two pieces together to form a connection. Slide each piece on and off smoothly. To build away from the Triangle Power Base, use the peg cord in one of the top three peg holes to illuminate your model! The 90° pegs are essential to construction but they DO NOT ILLUMINATE.

### Environmental Phenomena

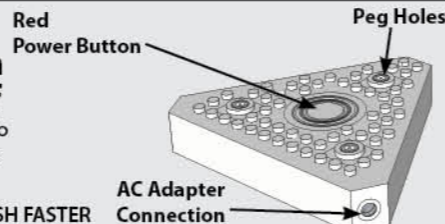
\*The unit may malfunction if subjected to radio-frequency interference. It SHOULD revert to normal operation when the interference stops. If not, it may become necessary to turn the power off and back on, or remove and reinstall the batteries.

\*In the unlikely event of an electrostatic discharge, the unit may malfunction and lose memory, requiring the user to reset the device by removing and reinstalling the batteries.

## Push Red Power Button to turn on/off

Push Red Power Button to cycle through 4 different light settings.

SOUND/ON/FLASH/FLASH FASTER



**WARNING: STROBE LIGHTS MAY CAUSE SEIZURES**

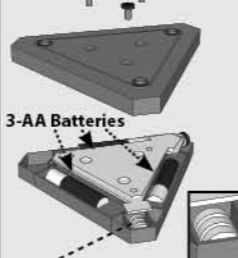
The toy is not to be connected to more than the recommended number of power supplies

## Replacing Batteries

1. Remove the three (3) screws.
2. Place three (3) AA batteries in the correct position - as displayed inside the Triangle Power Base.
3. Reassemble the Triangle Power Base.
4. Replace the three (3) screws.
5. Push RED Power Button to turn on!
6. Do not mix old and new batteries.
7. Do not mix alkaline, standard (carbon-zinc), or rechargeable (nickel-cadmium, NiMH) batteries!
8. Exhausted batteries are to be removed from the Triangle Power Base.
9. Never connect more than 200 Laser Pegs®
10. Non-rechargeable batteries are not to be recharged.
11. Rechargeable batteries are only to be recharged under adult supervision.
12. Rechargeable batteries are to be removed from the toy before being recharged.
13. Batteries are to be inserted with the correct polarity.
14. The supply terminals are not to be short-circuited.
15. DO NOT THROW BATTERIES INTO FIRE!

Try-Me function contains 3xLR44

Add 3-AA Batteries



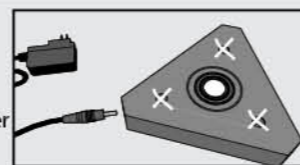
Remove LR-44 Batteries  
The LR-44 batteries are only for the "Try-Me" function, they should be removed from the Triangle Power Base and replaced with 3-"AA" batteries before giving it to the child.

Requires (3AA) Batteries

Please dispose of batteries properly as per state and local regulations.

## Using an AC Adapter

Remove all batteries from Laser Pegs® power base before using the 5-volt AC adapter.



When using an AC Adapter, NEVER place the adapter plug into the Triangle Power Base top peg holes.

\*To avoid short-circuits, keep metal objects and other unauthorized materials from obstructing the peg holes.

Never connect more than 200 Laser Pegs® when using a 5-volt (2000mA) AC Adapter.

The AC adapter and the Triangle Power Base are to be regularly examined for damage to the cord, plug, enclosure and other parts, and in the event of such damage, they must not be used until the damage has been repaired.

**WARNING!** Each Laser Peg® draws current from the batteries. Therefore, the more pegs you use, the quicker you will deplete your battery power! As the power weakens, the current will slowly fail and some Laser Pegs® will illuminate (typically the reds and yellows) and some won't. When the Laser Pegs® dim the Laser Pegs® are not broken, they just need stronger batteries or an AC Adapter. You have 3 simple options...

1. Use a 5-volt AC Adapter - available from [www.LaserPegs.com](http://www.LaserPegs.com)
2. Change the batteries.
3. Use high quality batteries. They will last a little longer, but they will still deplete rapidly the more laser pegs you connect!

**DO NOT SUBMERGE IN WATER**

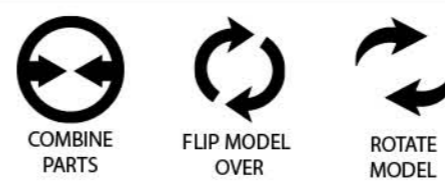
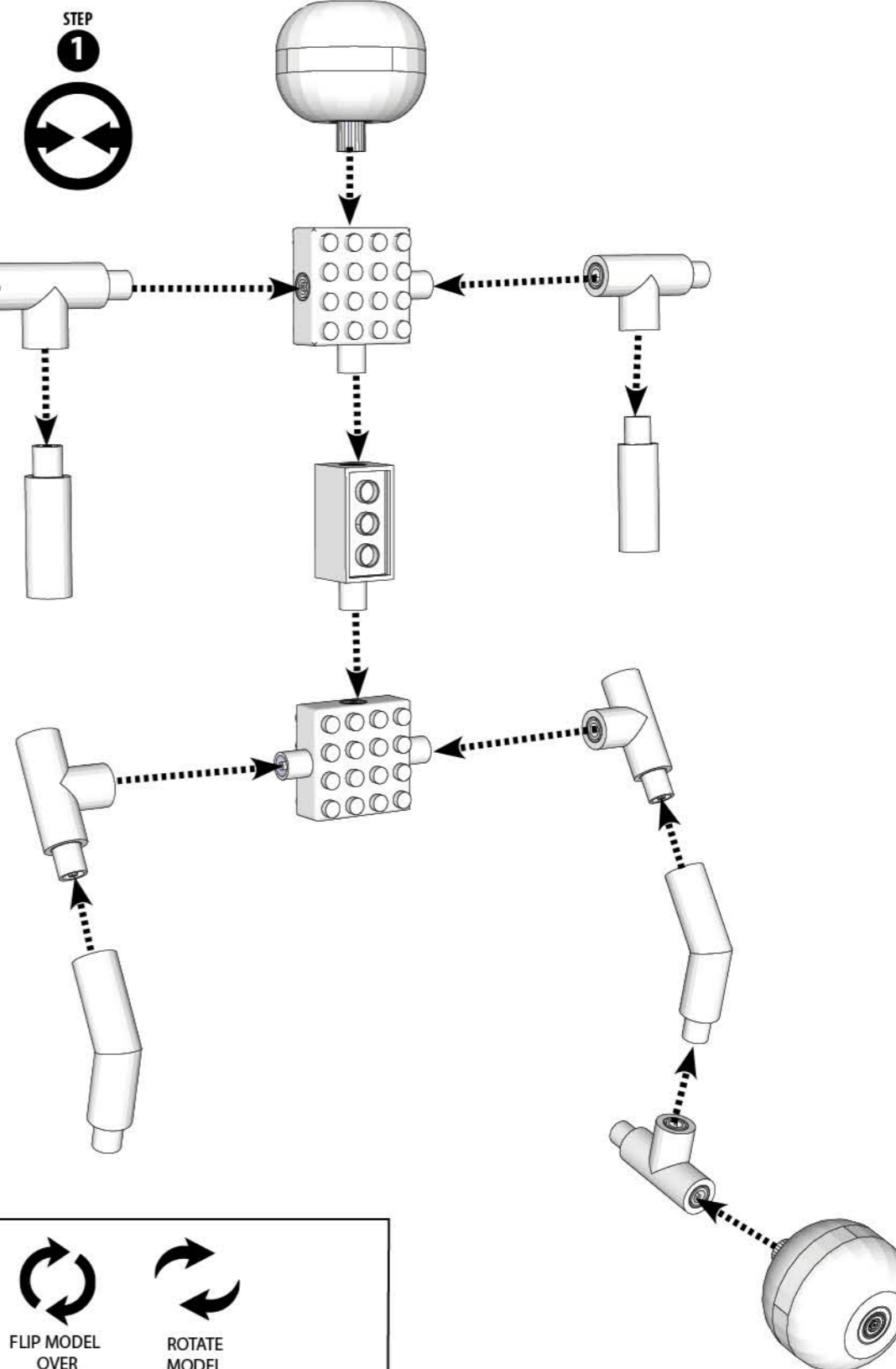
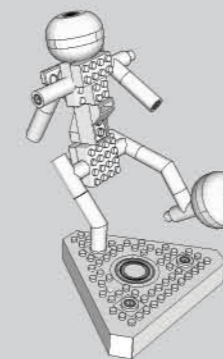
FUTBOLISTA: An athlete who plays professional soccer.



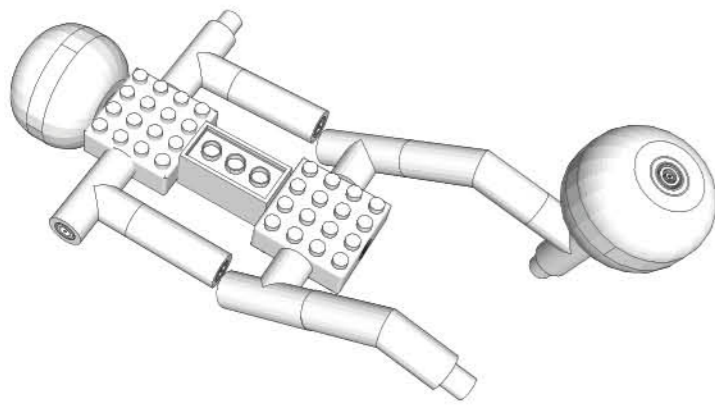
## FUTBOLISTA

Model Difficulty Level

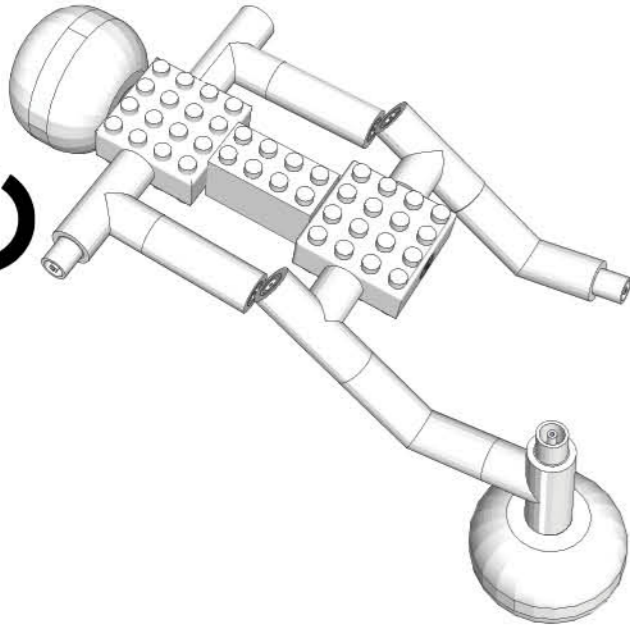
**2**



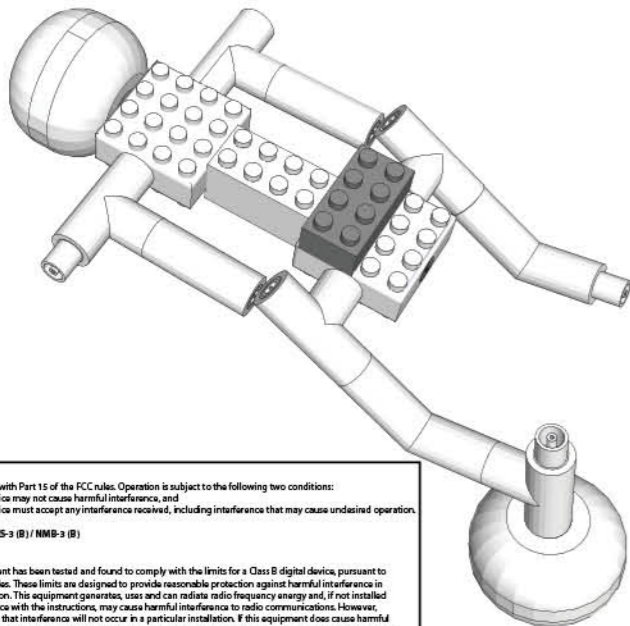
STEP 2



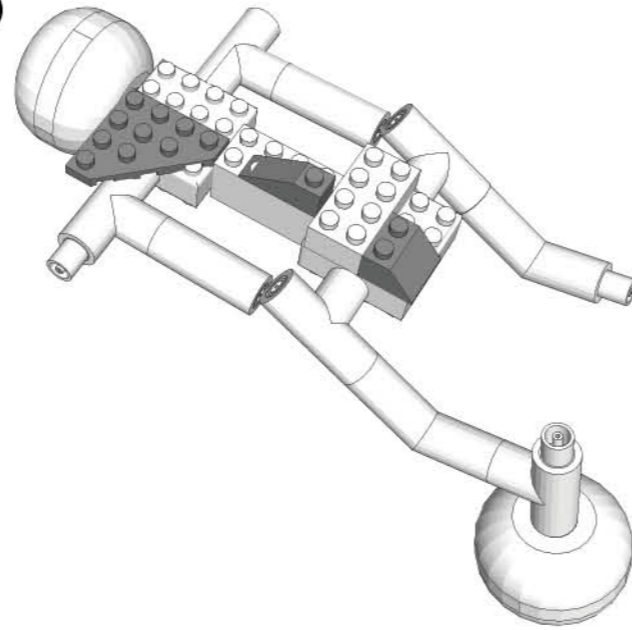
STEP 3



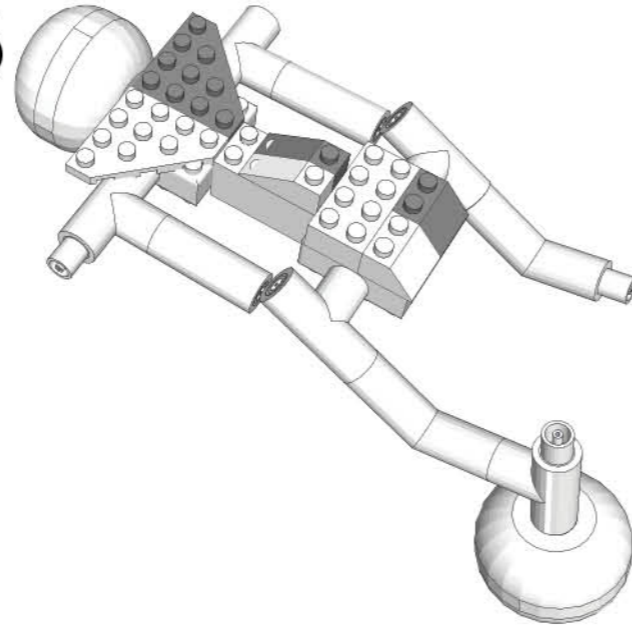
STEP 4



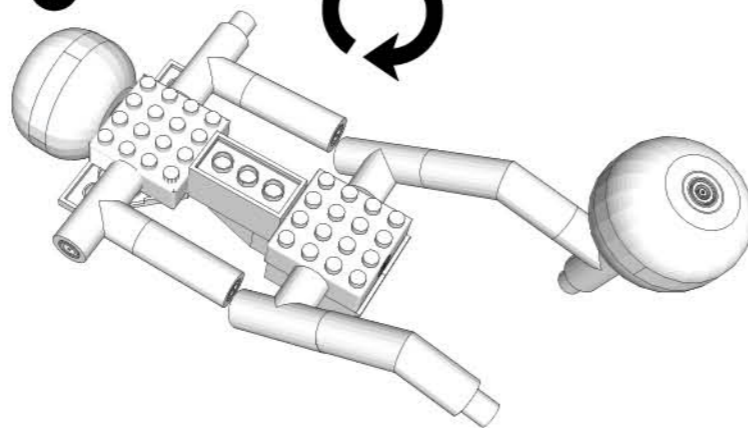
STEP 5



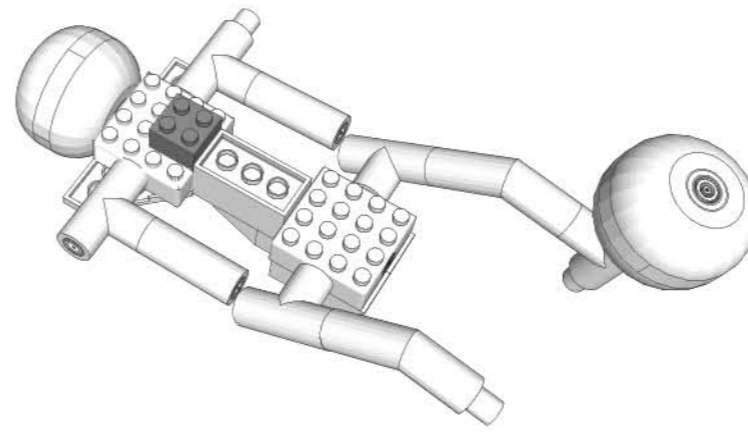
STEP 6



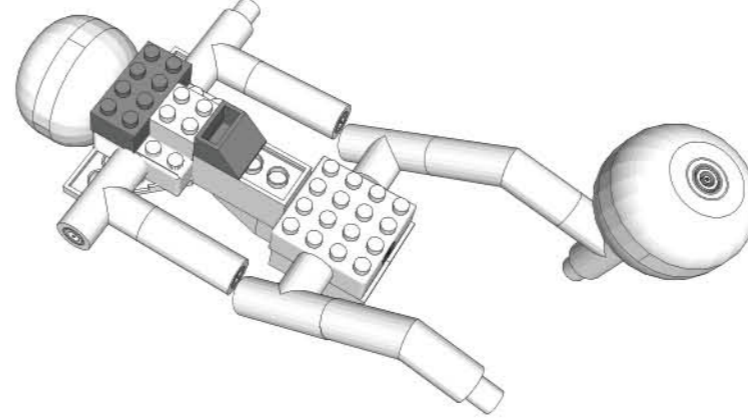
STEP 7



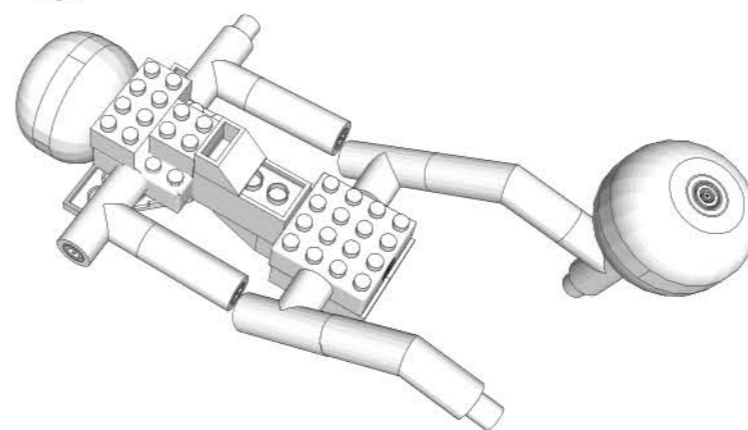
STEP 8



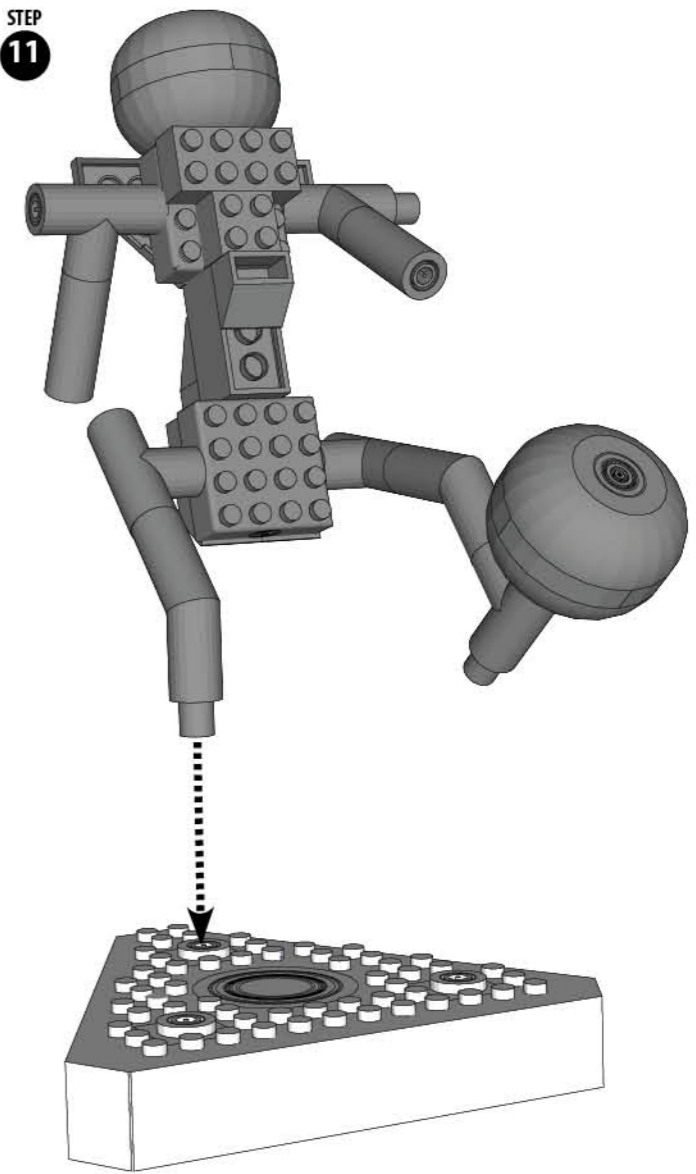
STEP 9



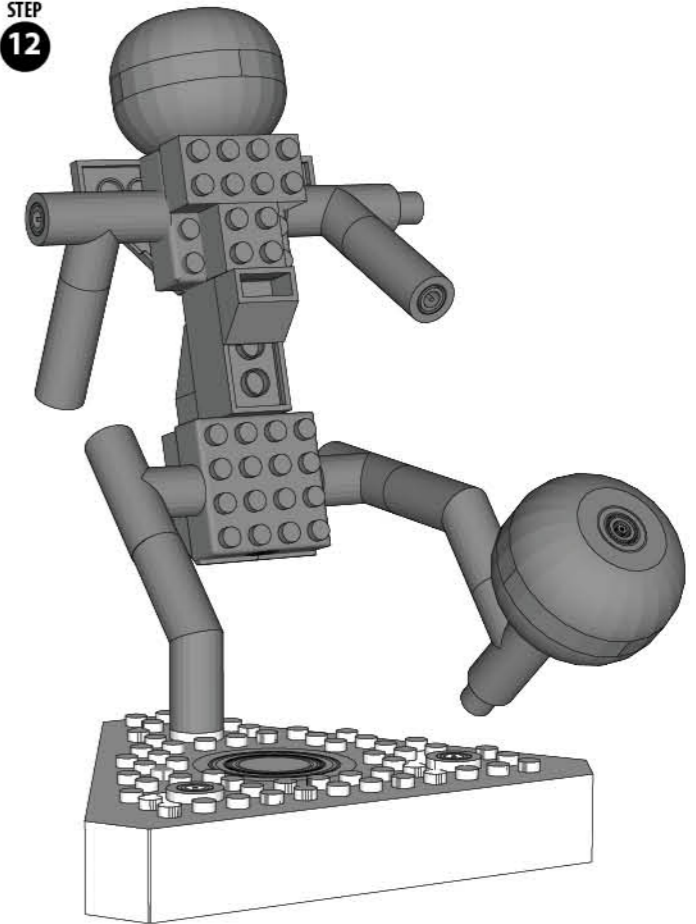
STEP 10



STEP 11



STEP 12



**FCC Notice:**  
 This device complies with Part 15 of the FCC rules. Operation is subject to the following two conditions:  
 1) This device may not cause harmful interference, and  
 2) This device must accept any interference received, including interference that may cause undesired operation.  
 CAN ICES-3 (B) / NMB-3 (B)

**NOTE:** This equipment has been tested and found to comply with the limits for a Class B digital device, pursuant to Part 15 of the FCC Rules. These limits are designed to provide reasonable protection against harmful interference in a residential installation. This equipment generates, uses and can radiate radio frequency energy and, if not installed and used in accordance with the instructions, may cause harmful interference to radio communications. However, there is no guarantee that interference will not occur in a particular installation. If this equipment does cause harmful interference to radio or television reception, which can be determined by turning the equipment off and on, the user is encouraged to try to correct the interference by one or more of the following measures:  
 • Reorient or relocate the receiving antenna.  
 • Increase the separation between the equipment and receiver.  
 • Consult the dealer or an experienced radio/TV technician for help.

**Laser Pegs® CARES**  
**Questions? Comments?**  
**For additional compliance info:**  
**1-866-432-3735**  
**Contact: Support@LaserPegs.com**

MADE IN CHINA

[www.LaserPegs.com](http://www.LaserPegs.com)  
 Copyright 2014 © All Rights Reserved Global & Multiple Patents Pending. US Patent #7,731,558