

LASER PEGS®

The Ultimate Construction Toy For Kids*

MPS 300B SPRINT CAR

Series

AGES 5+
4 Models+
Any creation you can build
LIGHTED
CONSTRUCTION SET INCLUDES:

- 2 Laser Pegs®
- 49 Construction Parts
- Mobile Power Source
- Instruction Manual

Batteries
Included



Please read this manual before you begin! Failure to follow this manual's instructions may result in damage to the Mobile Power Source and/or Laser Pegs®. Not adhering to these instructions will void the manufacturer's warranty. The packaging must be kept because it contains important information.

WARNING: CHOKING HAZARD-Small parts. Not for children under 3 yrs. Do not submerge in water.

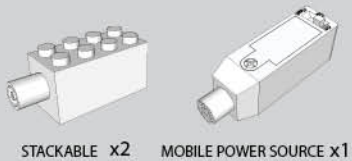
Warning: This product contains a button battery. If swallowed, it could cause severe injury or death in just 2 hours. Seek medical attention immediately.*

**WARNING: STROBE LIGHTS
MAY CAUSE SEIZURES**

EN71, RoHS COMPLIANT
This product complies to all safety requirements of ASTM F 963

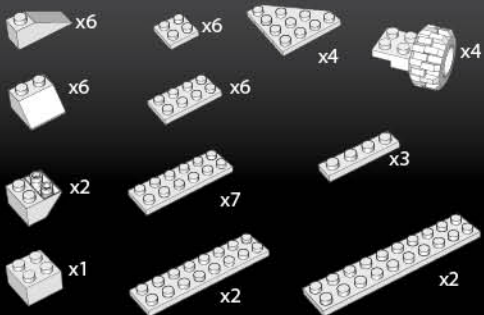
DO NOT SUBMERGE IN WATER

Laser Pegs® Parts List



The toy is not to be connected to more than the recommended number of power supplies

Construction Parts List

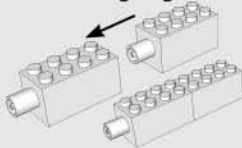


MADE IN CHINA

www.LaserPegs.com

This manual is copyright and cannot be reproduced or used online without Laser Pegs® Ventures LLC permission. Copyright 2014 © All Rights Reserved US Patent #7,731,558 Additional Global & Multiple Patents Pending. Laser Pegs® Ventures LLC, 8304 Consumer Ct., Sarasota FL, 34240. Contact: Support@LaserPegs.com

Connecting Pegs

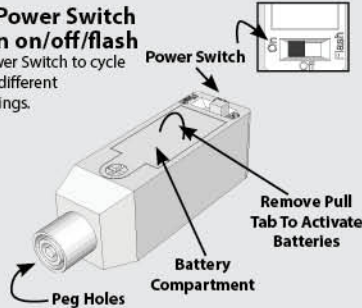


Construction Compatible

To construct with Laser Pegs®, slide two pieces together to form a connection. Slide each piece on and off smoothly.

Slide Power Switch to turn on/off/flash

Slide Power Switch to cycle through different light settings.

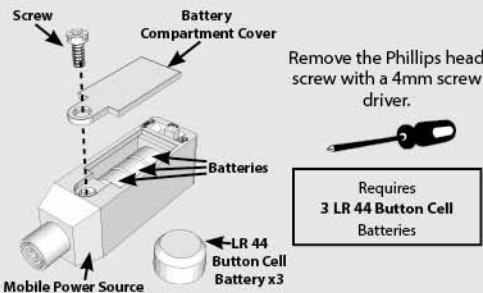


*To avoid short-circuits, keep metal objects and other unauthorized materials from obstructing the peg holes.

Please dispose of batteries properly as per state and local regulations.

Replacing Batteries

1. Remove the Phillips head screw.
2. Remove the Battery Compartment Cover.
3. Place three LR 44 batteries in the correct position. (Batteries are to be inserted with the correct polarity).
4. Replace the Battery Compartment Cover.
5. Replace the Phillips head screw.
6. Slide Power Switch to turn on!
7. Do not mix old and new batteries.
8. Do not mix alkaline, standard (carbon-zinc), or rechargeable (nickel-cadmium, NiMH) batteries!
9. Exhausted batteries are to be removed from the power base.
10. Never connect more than 4 Laser Pegs®
11. Non-rechargeable batteries are not to be recharged.
12. Rechargeable batteries are only to be recharged under adult supervision.
13. Rechargeable batteries are to be removed from the toy before being recharged.
14. The supply terminals are not to be short-circuited.
15. DO NOT THROW BATTERIES INTO FIRE!



WARNING! Each Laser Pegs® draws current from the batteries. Therefore, the more pegs you use, the quicker you will deplete your battery power! As the power weakens, the current will slowly fail and some Laser Pegs® will illuminate (typically the reds and yellows) and some won't. When the Laser Pegs® dim, the Laser Pegs® are not broken, they just need stronger batteries. You have 2 simple options...

1. Change the batteries.
2. Use high quality batteries. They will last a little longer, but they will still deplete rapidly the more Laser Pegs® you connect!

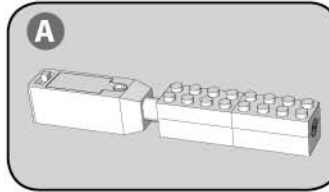
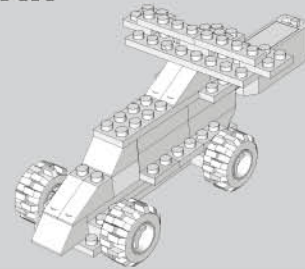
TEST CAR: In 1959, the first crash test of a vehicle was staged in Sindelfingen Germany.



TEST CAR

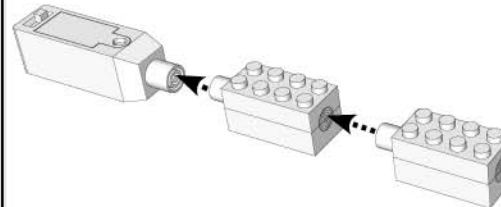
Model
Difficulty
Level

1



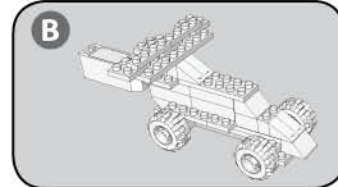
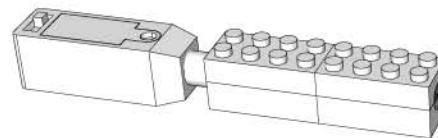
STEP

1



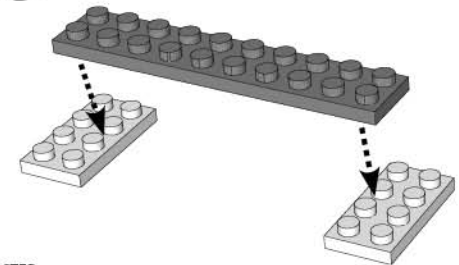
STEP

2



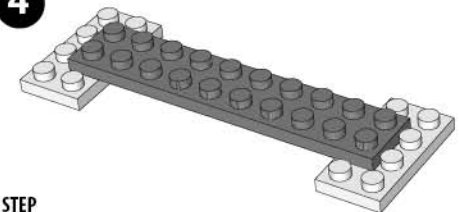
STEP

3



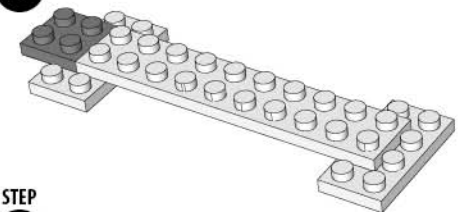
STEP

4



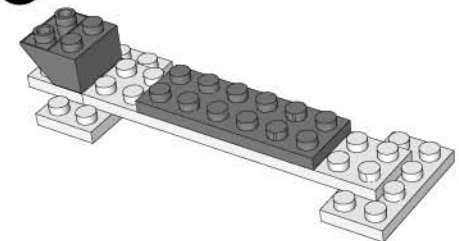
STEP

5



STEP

6



COMBINE
PARTS



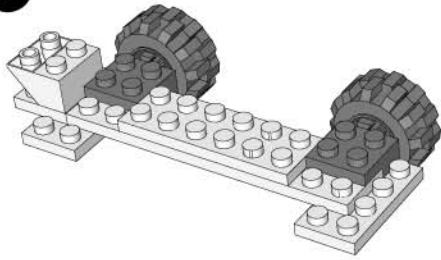
FLIP MODEL
OVER



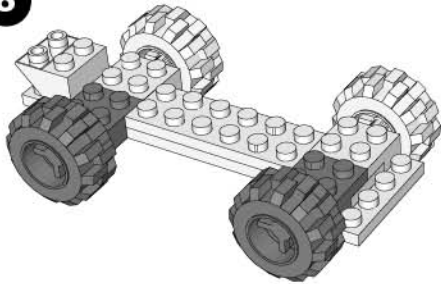
ROTATE
MODEL

MADE IN CHINA

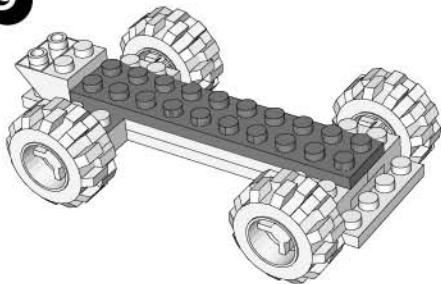
STEP
7



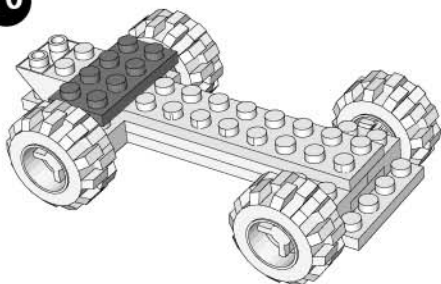
STEP
8



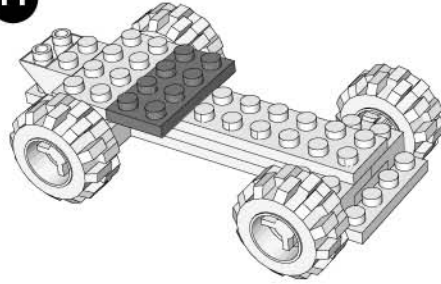
STEP
9



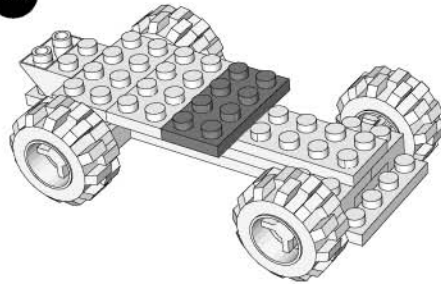
STEP
10



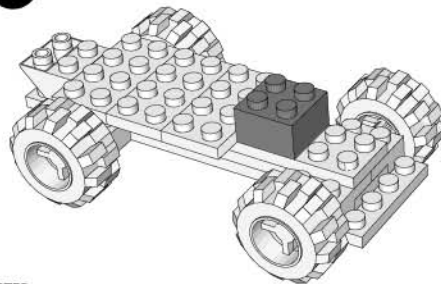
STEP
11



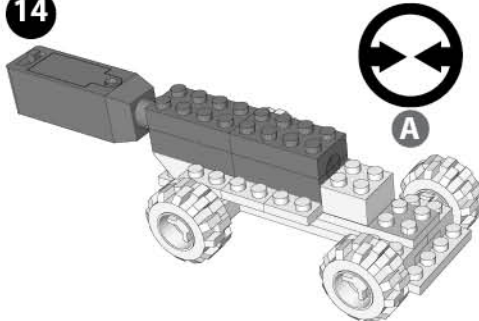
STEP
12



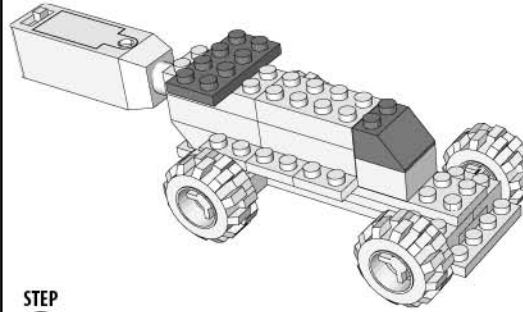
STEP
13



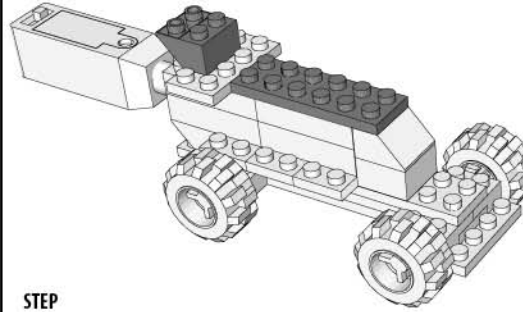
STEP
14



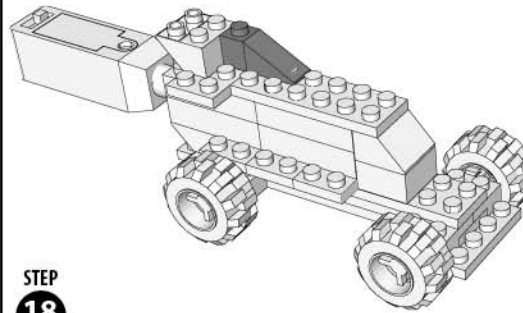
STEP
15



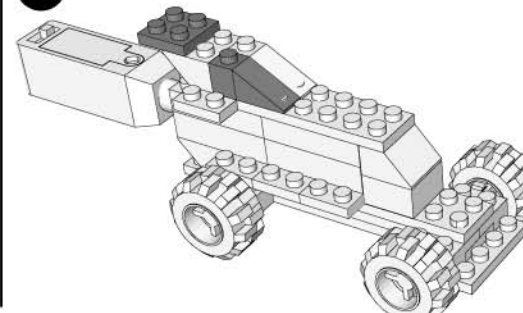
STEP
16



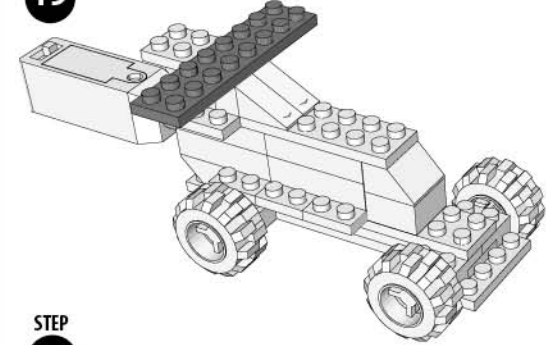
STEP
17



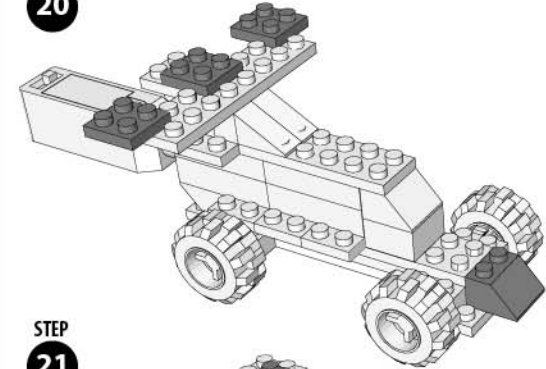
STEP
18



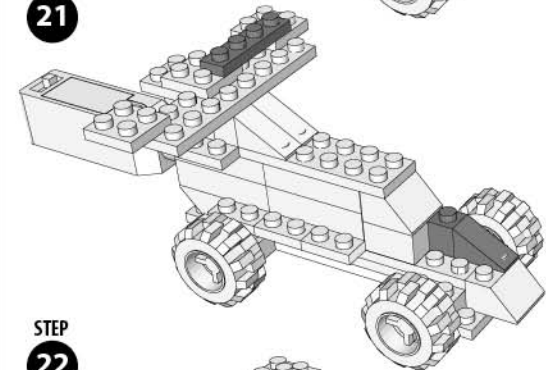
STEP
19



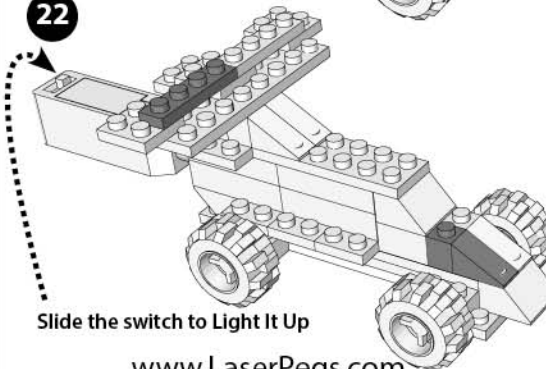
STEP
20



STEP
21



STEP
22



Slide the switch to Light It Up

Environmental Phenomena

* The unit may malfunction if subjected to radio-frequency interference. It SHOULD revert to normal operation when the interference stops. If not, it may become necessary to turn the power off and back on, or remove and reinstall the batteries. * In the unlikely event of an electrostatic discharge, the unit may malfunction and lose memory, requiring the user to reset the device by removing and reinstalling the batteries.